

ALL **NEW** 5TH GENERATION
NX SERIES

3 YEARS CONTROLLER WARRANTY

EMPOWERED
INNOVATION



ONE NUMBER - MULTI SOLUTIONS

FOR SALES INQUIRIES & CUSTOMER CARE

7998-7998-16



TEXT



WHY MACPOWER ?

- Totally In-house Manufacturing Capability
- Wide range of products to choose from
- Effective "Cost to Performance" solution provider
- Believing in partnership with customers and not as buyer and seller
- Efficient after sales service back up
- Availability of spares
- Emphasis on continuous R & D & Training
- Flexibility & Openness to manufacture customized machines
- Fast decision making process
- Macpower is a company with a modern outlook - giving you contemporary solutions through time-tested expertise.

COMPANY PROFILE

Macpower CNC Machines Limited (Macpower) welcomes to the world of machining excellence. More than one and half decades of experience and the vision towards creating a niche has transformed Macpower into India's fastest growing CNC Manufacturing Company. This meteoric growth is a result of Macpower's vision of par excellence to manufacture state of the art products, adopting the best in technology.

In 2003, Macpower Group started Macpower CNC Machines Limited, CNC Machines manufacturing unit in an area of around 4 acres and has grown to almost double thereafter with 2 units in operation at present situated at Metoda G. I. D.C., Rajkot (India). Macpower is registered to ISO 9001(Design), a universally accepted quality assurance designation and MSE-1 certification for highest financial strength and operational ability by CRISIL.

The modern headquarters contains a spacious State of the Art Machine Shop, Totally Equipped Assembly Shops, All Modern Measuring and Testing Equipments, Technologically Advanced Sheet Metal Unit and One of it's Kind Powder Coating Plant make Macpower Totally In-House Manufacturing Company.

Macpower is currently offering widest range of 9 different product categories namely Turning Center, Twin Spindle Turning Center, VMC, Twin Spindle VMC, TurnMill Center, HMC, VTL, DTC, Grinder with 27 versions and 60+ different models serving 27 industry segment world wide with 8000+ installations.

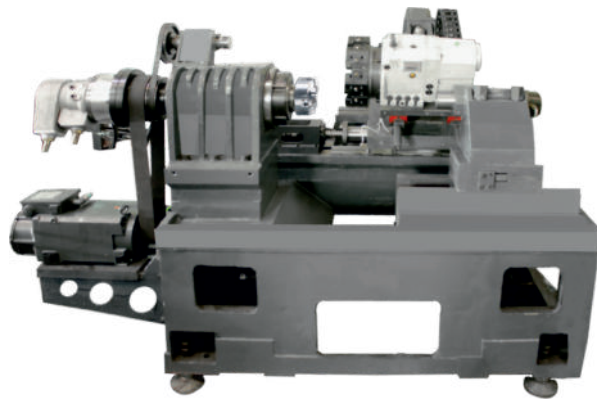
Sales & Service Team presence in 37 cities across the country with 107 qualified engineers and 9 business associates; establishment of multiple regional offices and technology centers across the country to have better connect with our valued customers.

OVERVIEW

In today's competitive market, you need robust CNC turning centers with un-compromised performance and specifications to produce world class products quickly accurately and with minimum non productive time.

Structure

The rigid bed and step up structure are made out of grade 25 cast iron for more stability. It is ribbed to provide more rigidity and less distortion during cuts and faster production, with virtually no vibration. A totally revamped ergonomic structure helps stabilize different machining operations with requisite precision.



Tailstock

The tailstock consists of a hydraulically operated quill, which moves inside the housing. The quill and body are independently moveable. The tailstock is supported on V and flat guide ways. Programmable quill is provided as a standard feature.

Rear Chip Removal Arrangement

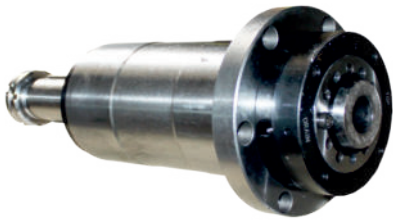
New VX Series design enables it to give wide passage for chip disposal on back side. With such design chips will directly fall down into chip tray and also removing of chip from chip tray without stopping the machining cycle

Carriage Assembly

X and Z Slide are mounted on precise four circuit linear motion blocks with high load carrying capacity, designed to support increased acceleration and deceleration rates as well as cutting pressure.

Revamped Guarding

Equipped with the advantage of an ergonomic design. The machine comes with a full guard that enables a clean premise throughout the operation. These feature prevents contamination being spread on to machine slides, switches and other electrical devices. with pressure dials on upper side and small door.



Spindle

Monoblock machines come with a spindle that has a highly durable and maintenance-free feature. Adding further rigidity and stiffness to the spindle assembly comes with three front and two rear angular contact bearing configuration.

Precise Roller Guideways

All axes are furnished with precise and heavy load capacity re-circulating roller guide ways enabling high acceleration-de acceleration and hence better productivity.

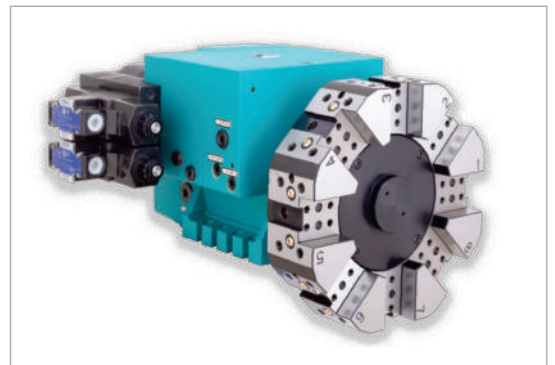


Double-Anchored Ball Screws

Ball Screws are directed by direct coupled AC servo motor with flexible coupling. This greatly improves positioning accuracy, and provides more accurate threading and contouring. Ball Screws are anchored at both ends and inspected for parallelism with axis guide. Pre-loaded ball nuts eliminate backlash.

Hydraulic Turret

Bi-directional turret in either direction for minimum possible induction time they are robust and completely enclosed with complete lubrication.



Advance Inspection Technology

Laser Calibration is carried out to insure the linear accuracy, providing accurate compensation for pitch and backlash. The machine facilitates the attainment of positional accuracy up to 0.01 mm / 300 mm and repeatability accuracy up to 0.007 mm.

NX 30



SPECIAL DEAL
13.25 LAKH ONLY

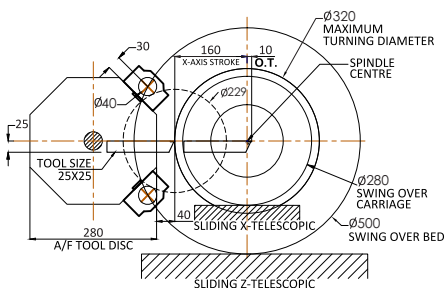
Swing Over Carriage	mm	280
Maximum Turning Dia.*	mm	320
Max. Turning Length	mm	325
Travel (X / Z)	mm	170 / 325
Rapid Feed (X / Z)	mtr/min	30
Chuck Size	mm	165 X 3
Spindle Power	kW	5.5 / 7.5
Spindle Bore	mm	54
Spindle Nose	-	A2-5
Weight (Approx)	Kg	2900

3 Years Controller Warranty

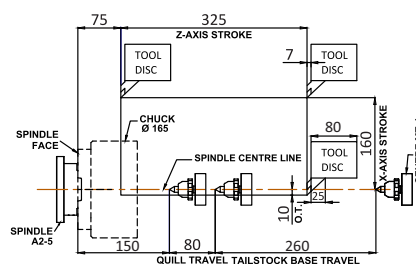
Components



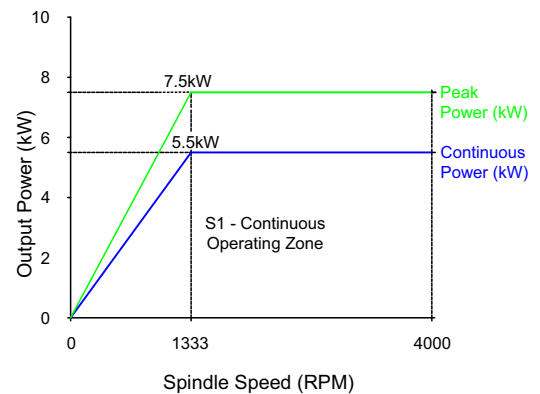
Tool Interference Diagram



Machining Range



Power Diagram



NX 30 SUPER

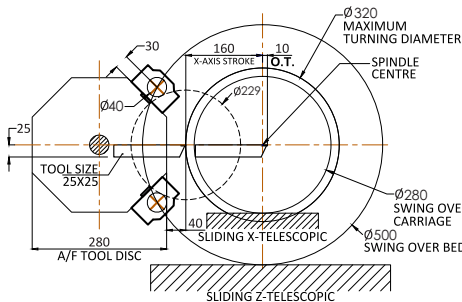


Swing Over Carriage	mm	280
Maximum Turning Dia.*	mm	320
Max. Turning Length	mm	325
Travel (X / Z)	mm	170 / 325
Rapid Feed (X / Z)	mtr/min	30
Chuck Size	mm	200 X 3
Spindle Power	kW	7.5 / 11
Spindle Bore	mm	63
Spindle Nose	-	A2-6
Weight (Approx)	Kg	3000
3 Years Controller Warranty		

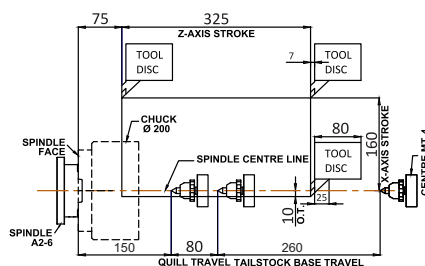
Components



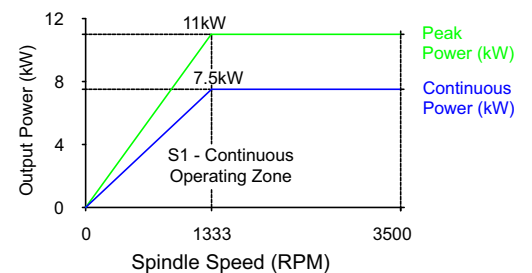
Tool Interference Diagram



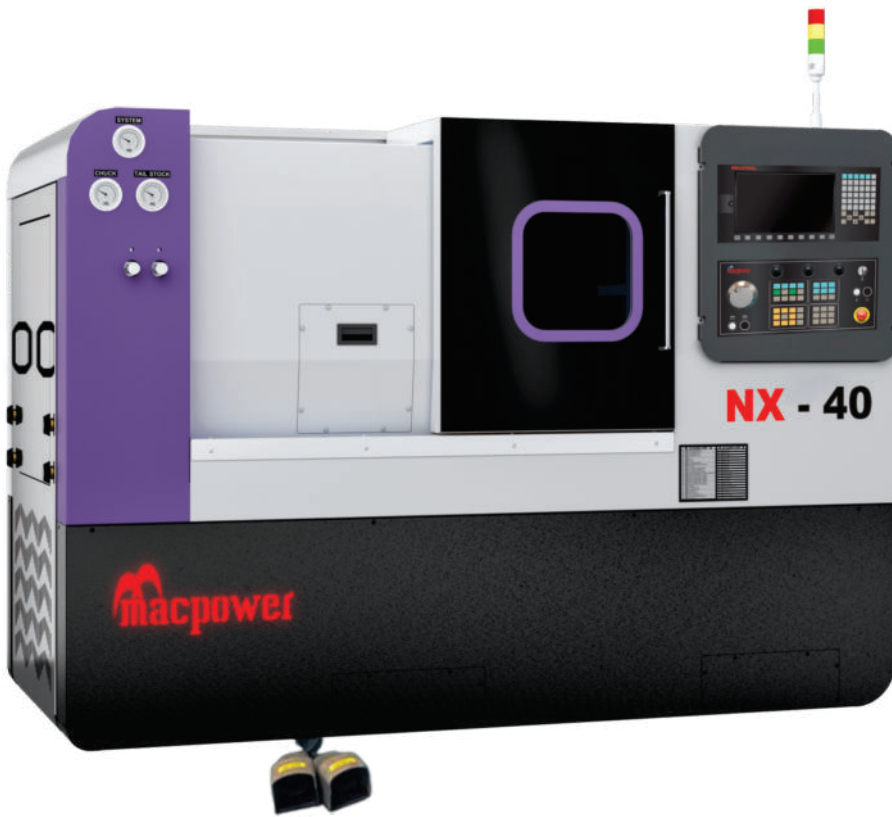
Machining Range



Power Diagram



NX 40



SPECIAL DEAL
13.95 LAKH ONLY

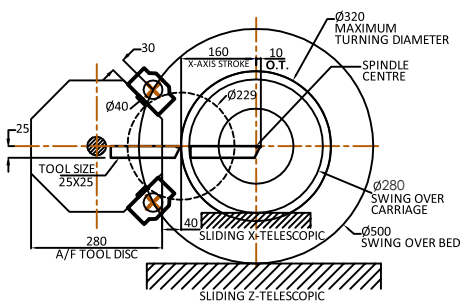
Swing Over Carriage	mm	280
Maximum Turning Dia.*	mm	320
Max. Turning Length	mm	425
Travel (X / Z)	mm	170 / 425
Rapid Feed (X / Z)	mtr/min	30
Chuck Size	mm	200 X 3
Spindle Power	kW	5.5 / 7.5
Spindle Bore	mm	54
Spindle Nose	-	A2-5
Weight (Approx)	Kg	3000

3 Years Controller Warranty

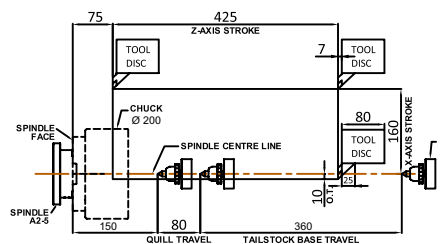
Components



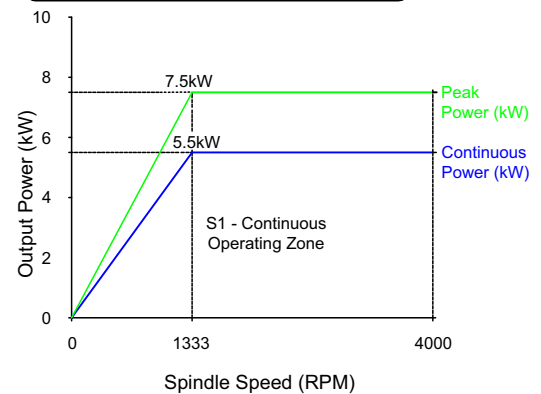
Tool Interference Diagram



Machining Range

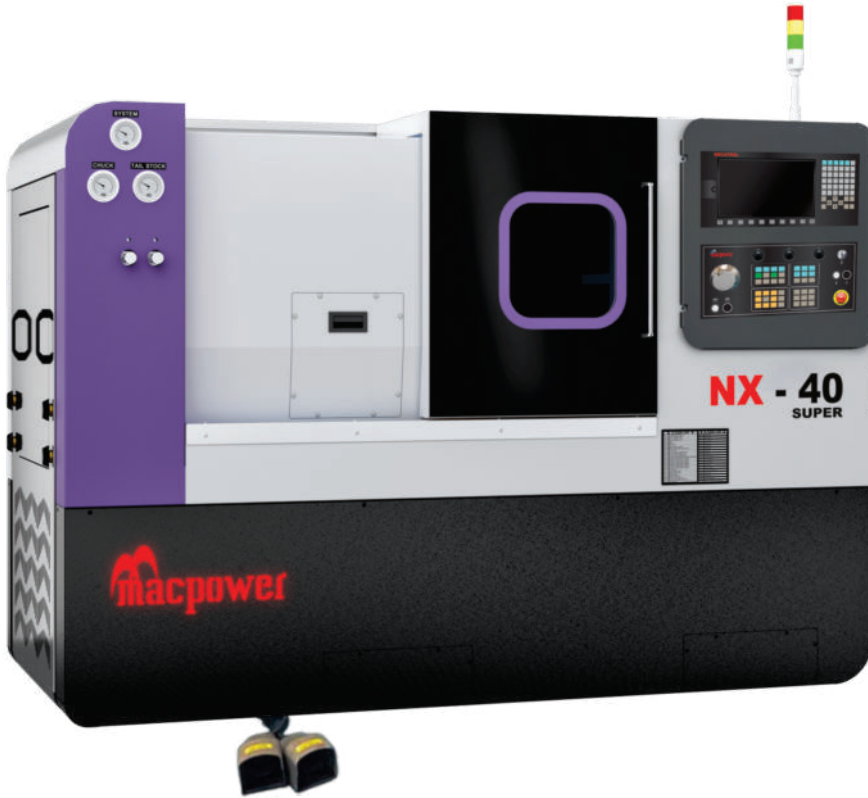


Power Diagram



NX 40 SUPER

SPECIAL DEAL
14.45 LAKH ONLY

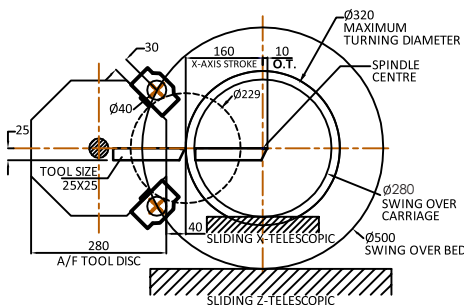


Swing Over Carriage	mm	280
Maximum Turning Dia.*	mm	320
Max. Turning Length	mm	425
Travel (X / Z)	mm	170 / 425
Rapid Feed (X / Z)	mtr/min	30
Chuck Size	mm	200 X 3
Spindle Power	kW	7.5 / 11
Spindle Bore	mm	63
Spindle Nose	-	A2-6
Weight (Approx)	Kg	3100
3 Years Controller Warranty		

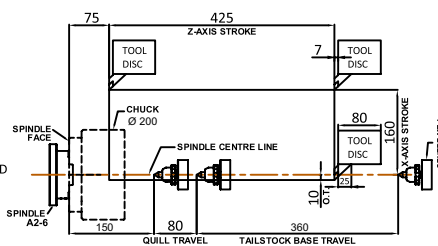
Components



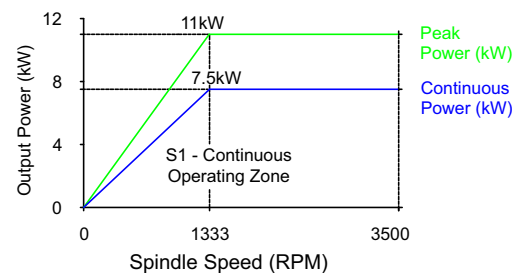
Tool Interference Diagram



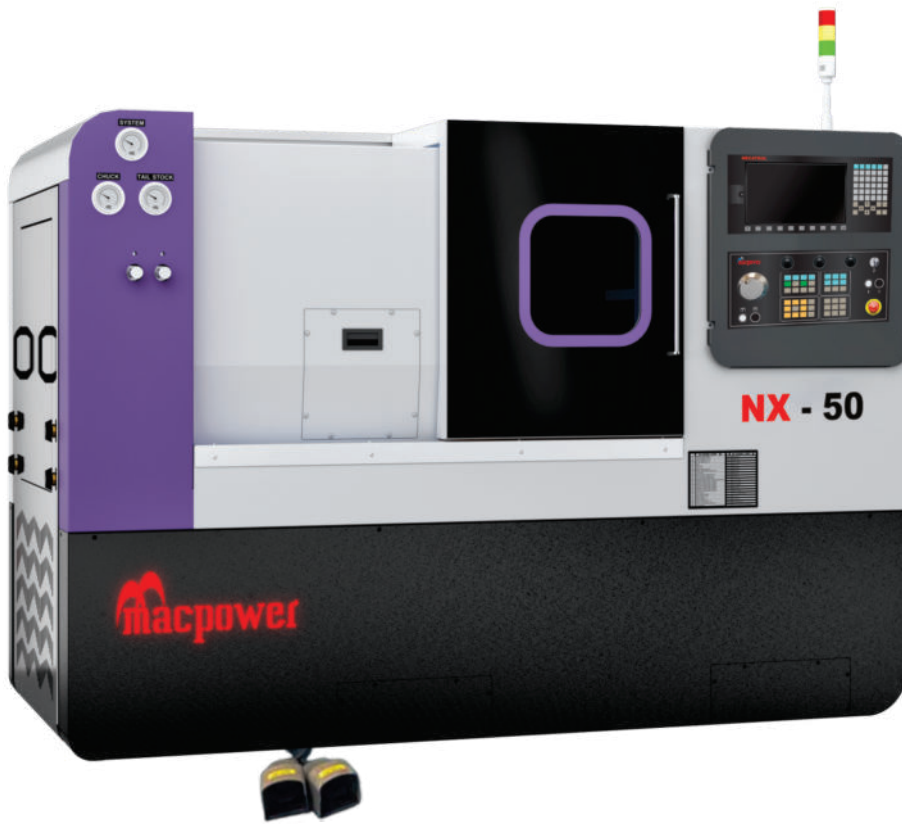
Machining Range



Power Diagram



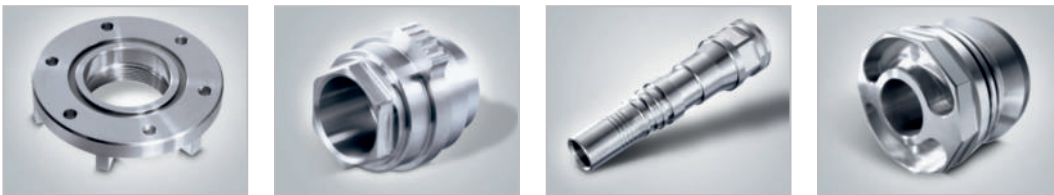
NX 50



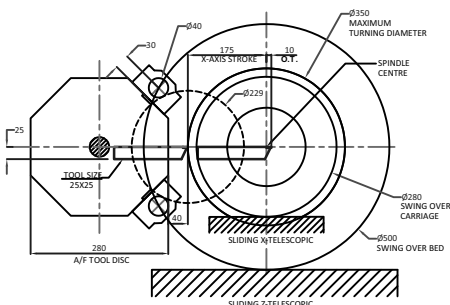
SPECIAL DEAL
14.95 LAKH ONLY

Swing Over Carriage	mm	280
Maximum Turning Dia.*	mm	350
Max. Turning Length	mm	550
Travel (X / Z)	mm	185 / 550
Rapid Feed (X / Z)	mtr/min	30
Chuck Size	mm	200 X 3
Spindle Power	kW	7.5 / 11
Spindle Bore	mm	63
Spindle Nose	-	A2-6
Weight (Approx)	Kg	3100
3 Years Controller Warranty		

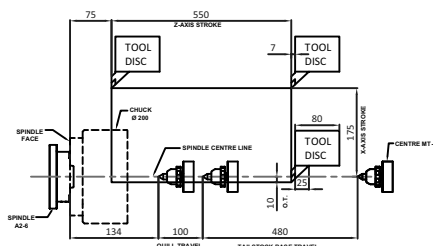
Components



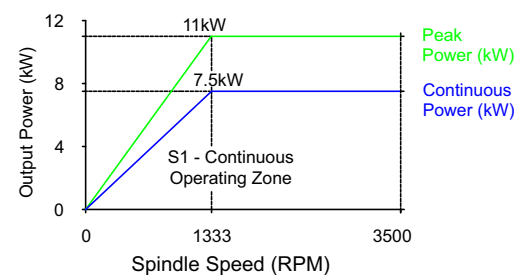
Tool Interference Diagram



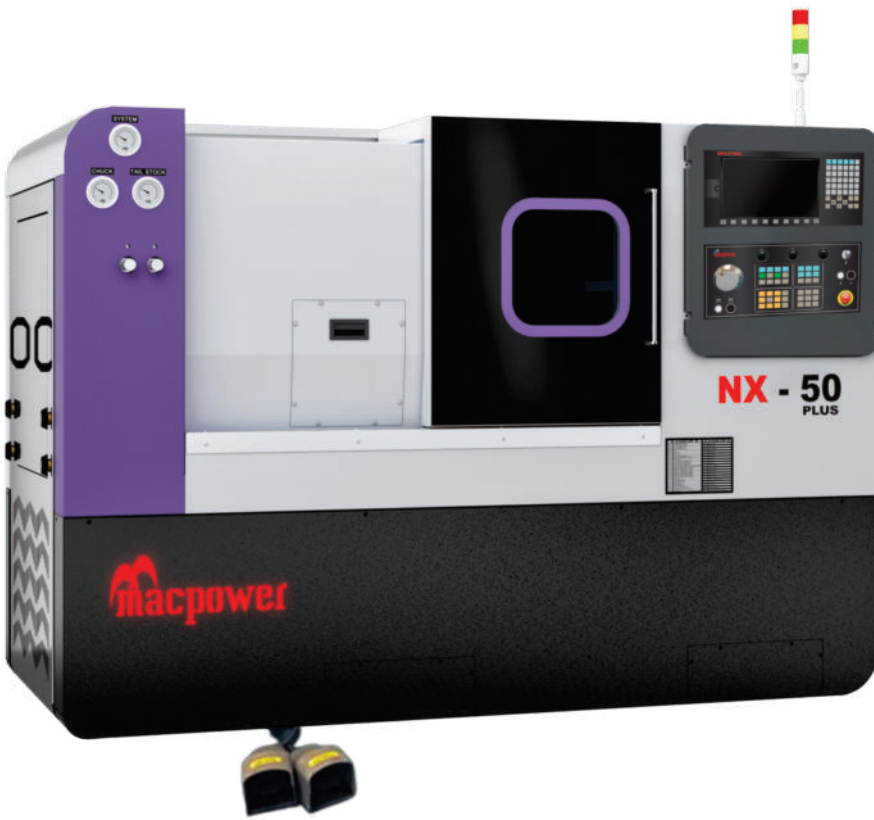
Machining Range



Power Diagram



NX 50 PLUS



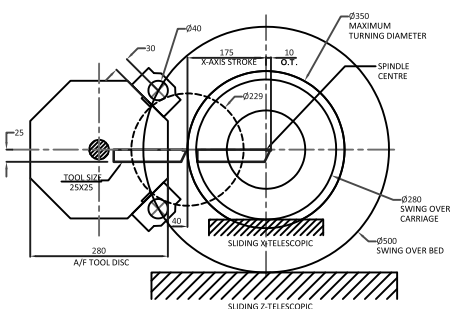
SPECIAL DEAL
15.45 LAKH ONLY

Swing Over Carriage	mm	280
Maximum Turning Dia.*	mm	350
Max. Turning Length	mm	500
Travel (X / Z)	mm	185 / 500
Rapid Feed (X / Z)	mtr/min	30
Chuck Size	mm	200 X 3
Spindle Power	kW	7.5 / 11
Spindle Bore	mm	63
Spindle Nose	-	A2-6
Weight (Approx)	Kg	3100
3 Years Controller Warranty		

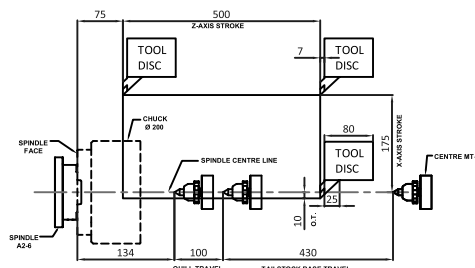
Components



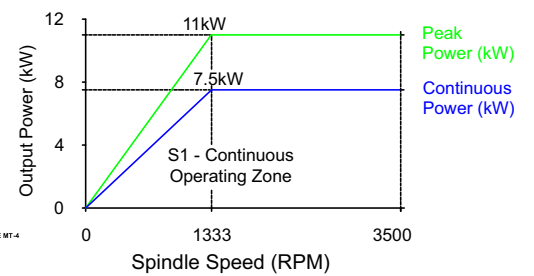
Tool Interference Diagram



Machining Range



Power Diagram



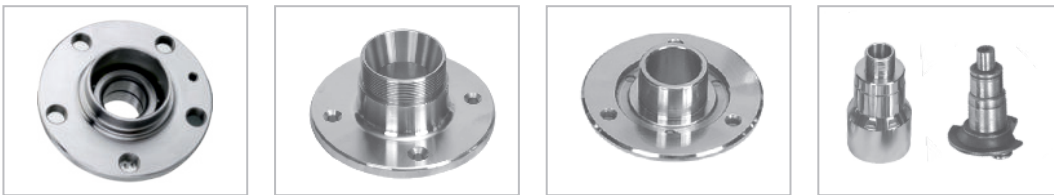
NX 20 MONO



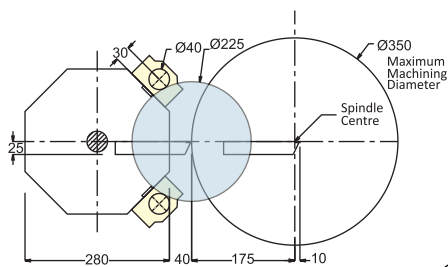
SPECIAL DEAL
15.75 LAKH ONLY

Swing Over Carriage	mm	350
Maximum Turning Dia.*	mm	350
Max. Turning Length	mm	550
Travel (X / Z)	mm	185 / 550
Rapid Feed (X / Z)	mtr/min	24
Chuck Size	mm	200 x 3
Spindle Power	kW	7.5 / 11
Spindle Bore	mm	63
Spindle Nose	-	A2-6
Weight (Approx)	Kg	3900
3 Years Controller Warranty		

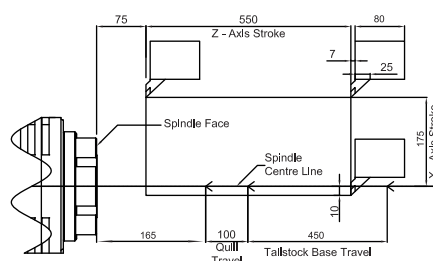
Components



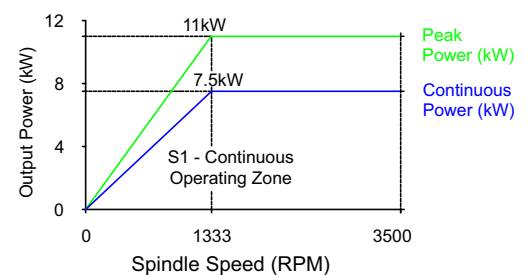
Tool Interference Diagram



Machining Range



Power Diagram



NX 10



**SPECIAL DEAL
11.25 LAKH ONLY**

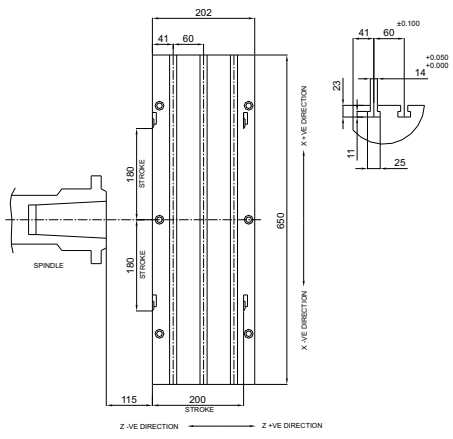
Std. Turning Dia.	mm	100
Max. Turning Dia.	mm	165
Max. Turning Length	mm	200
Travel (X / Z)	mm	360 / 200
Rapid Feed (X / Z)	mtr/min	30
Chuck Size	mm	165x3
Spindle Power	kW	5.5 / 7.5
Spindle Bore	mm	54
Spindle Nose		A2-5
Weight (Approx)	Kg	2500

3 Years Controller Warranty

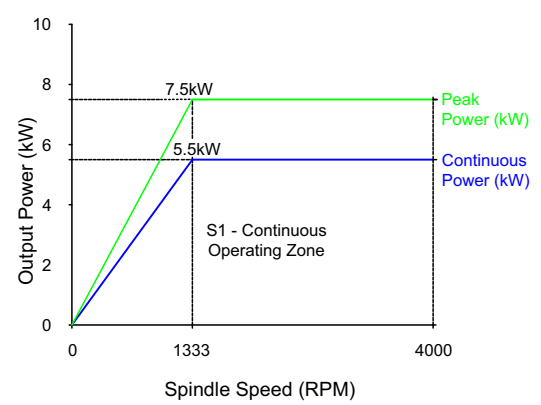
Components



Tool Interference Diagram



Power Diagram



ACCESSORIES

STANDARD

- Roller Guide Ways
- AC Spindle Drive & AC Servo Drive
- Machine with Tail Stock
- Hydraulic Chuck
- Bi-directional Hydraulic Turret
- Hydraulic Unit
- Coolant System
- Centralized Lubrication System
- Turning Tool Holders
- Boring Bar Holders
- Patrol Light
- Digital Tool Display
- Foot Switch

OPTIONAL

- Chip Conveyor
- Bar Feeder
- Bar Puller
- Live Tooling
- Stabilizer
- Hydraulic Collet Chuck
- Auto Door
- Oil Skimmer
- Steady Rest
- Tooled Up Solution
- Tool Probe
- Work Probe
- Electro Mechanical Turret

NEW NX SERIES MACHINE CONFIGURATIONS

DESCRIPTION	UNIT	NX 30	NX 30 SUPER	NX 40
CAPACITY				
Swing Over Carriage	mm	Ø 280	Ø 280	Ø 280
Maximum Turning Dia.*	mm	Ø 320	Ø 320	Ø 320
Swing Over Bed	mm	Ø 500	Ø 500	Ø 500
Maximum Turning Length	mm	325	325	425
Distance Between Center	mm	350	350	450
SLIDES				
Cross (X axis) Travel	mm	170	170	170
Longitudinal (Z axis) Travel	mm	325	325	425
Rapid Feed (X axis)	m/min	30	30	30
Rapid Feed (Z axis)	m/min	30	30	30
MAIN SPINDLE				
Spindle Nose	–	A2-5	A2-6	A2-5
Spindle Bore	mm	Ø 54	Ø 63	Ø 54
Max. Bar Capacity	mm	Ø 42	Ø 51	Ø 42
Chuck Size	mm	Ø 165 x 3 Jaw	Ø 200 x 3 Jaw	Ø 200 x 3 Jaw
Speed Range	rpm	50 – 4000	50 – 3500	50 – 4000
Full Power Range	rpm	1333 - 4000	1333 - 3500	1333 - 4000
Spindle Motor (Continues Rating)	KW	5.5 / 7.5	7.5 / 11	5.5 / 7.5
Spindle Motor (15min. Rating)				
TURRET				
Number of Stations	No.	8	8	8
Tool Size	mm	25 x 25	25 x 25	25 x 25
Max. Boring Bar Capacity	mm	Ø 40	Ø 40	Ø 40
TAIL STOCK				
Quill Tapper	–	MT 4	MT 4	MT 4
Quill Diameter	mm	Ø 70	Ø 70	Ø 70
Quill Stroke	mm	80	80	80
ACCURACY				
Positioning Accuracy	mm	0.008	0.008	0.008
Repeatability	mm	0.007	0.007	0.007
OTHER DATA				
Weight (Approx.)	kg.	2900	3000	3000
Dimensions (W x D x H)(Approx.)	mm	2225x1830x1555	2225x1830x1555	2325x1830x1655
SYSTEM				
Macatrol	–	Turn - I	Turn - I	Turn - I



*Max. Turning Dia is For Limited Length

NEW NX SERIES MACHINE CONFIGURATIONS

DESCRIPTION	UNIT	NX 40 SUPER	NX 50
CAPACITY			
Swing Over Carriage	mm	Ø 280	Ø 280
Maximum Turning Dia.*	mm	Ø 320	Ø 350
Swing Over Bed	mm	Ø 500	Ø 500
Maximum Turning Length	mm	425	550
Distance Between Center	mm	450	570
SLIDES			
Cross (X axis) Travel	mm	170	185
Longitudinal (Z axis) Travel	mm	425	550
Rapid Feed (X axis)	m/min	30	30
Rapid Feed (Z axis)	m/min	30	30
MAIN SPINDLE			
Spindle Nose	–	A2-6	A2-6
Spindle Bore	mm	Ø 63	Ø 63
Max. Bar Capacity	mm	Ø 51	Ø 51
Chuck Size	mm	Ø 200 x 3 Jaw	Ø 200 x 3 Jaw
Speed Range	rpm	50 – 3500	50 – 3500
Full Power Range	rpm	1333 - 3500	1333 - 3500
Spindle Motor (Continues Rating)	KW	7.5 / 11	7.5 / 11
Spindle Motor (15min. Rating)			
TURRET			
Number of Stations	No.	8	8
Tool Size	mm	25 x 25	25 x 25
Max. Boring Bar Capacity	mm	Ø 40	Ø 40
TAIL STOCK			
Quill Tapper	–	MT 4	MT 4
Quill Diameter	mm	Ø 70	Ø 80
Quill Stroke	mm	80	100
ACCURACY			
Positioning Accuracy	mm	0.008	0.008
Repeatability	mm	0.007	0.007
OTHER DATA			
Weight (Approx.)	kg.	3100	3100
Dimensions (W x D x H)(Approx.)	mm	2325x1830x1655	2460x1830x1555
SYSTEM			
Macatrol	–	Turn - I	Turn - I



*Max. Turning Dia is For Limited Length

NEW NX SERIES MACHINE CONFIGURATIONS

DESCRIPTION	UNIT	NX 50 PLUS	NX 20 MONO
CAPACITY			
Swing Over Carriage	mm	Ø 280	Ø 350
Maximum Turning Dia.*	mm	Ø 350	Ø 350
Swing Over Bed	mm	Ø 500	Ø 500
Maximum Turning Length	mm	500	550
Distance Between Center	mm	520	575
SLIDES			
Cross (X axis) Travel	mm	185	185
Longitudinal (Z axis) Travel	mm	500	550
Rapid Feed (X axis)	m/min	30	24
Rapid Feed (Z axis)	m/min	30	24
MAIN SPINDLE			
Spindle Nose	–	A2-6	A2-6
Spindle Bore	mm	Ø 63	Ø 63
Max. Bar Capacity	mm	Ø 51	Ø 51
Chuck Size	mm	Ø 200 x 3 Jaw	Ø 200 x 3 Jaw
Speed Range	rpm	50 – 3500	50 – 3500
Full Power Range	rpm	1333 - 3500	1333 - 3500
Spindle Motor (Continues Rating)	KW	7.5 / 11	7.5 / 11
Spindle Motor (15min. Rating)			
TURRET			
Number of Stations	No.	8	8
Tool Size	mm	25 x 25	25 x 25
Max. Boring Bar Capacity	mm	Ø 40	Ø 40
TAIL STOCK			
Quill Tapper	–	MT 4	MT 4
Quill Diameter	mm	Ø 80	Ø 80
Quill Stroke	mm	100	100
ACCURACY			
Positioning Accuracy	mm	0.008	0.008
Repeatability	mm	0.007	0.007
OTHER DATA			
Weight (Approx.)	kg.	3100	3900
Dimensions (W x D x H)(Approx.)	mm	2460x1830x1555	3090x1870x1845
SYSTEM			
Macatrol	–	Turn - I	Turn - I



*Max. Turning Dia is For Limited Length

FOR MORE INFORMATION PLEASE CONTACT

WEST ZONE

Rajkot	:	93777 87930
Jamnagar	:	74860 42366
Surendranagar	:	74860 42366
Morbi	:	93777 87930
Bhavnagar	:	93777 87930
Ahmedabad	:	93775 87930
Sanand	:	93775 87930
Anand	:	93775 87930
Baroda	:	63560 02810
Halol	:	63560 02810
Surat	:	93753 87930
Vapi	:	93753 87930
Mumbai	:	93203 87930
Nasik	:	93713 87930
Aurangabad	:	93456 87930
Kolhapur	:	72858 55955
Pune	:	93210 87930
Ahmednagar	:	93210 87930

NORTH ZONE

Delhi	:	76000 10288
Faridabad	:	74860 29853
Ghaziabad	:	72111 02820
Noida	:	76000 10288
Gurugram	:	63588 11123
Haryana	:	89504 69265
Sonipat	:	89504 69265
Ludhiana	:	99886 93302
Mohali	:	99886 93302
Jaipur	:	72111 88869
Alwar	:	72111 88869
Jodhpur	:	72111 88869

EAST ZONE

Kolkata	:	93758 45361
Jameshedpur	:	93758 45361

SOUTH ZONE

Hyderabad	:	72111 03869
Bangalore	:	72111 03869
Chennai	:	63560 02822
Belgaum	:	91641 02610
Coimbatore	:	72111 02822
Trichy	:	72111 02822
Kerala	:	72111 02822

CENTRAL ZONE

Indore	:	99747 97756
Bhopal	:	87706 96570

at
your service
anytime
anywhere




macpower

MACPOWER CNC MACHINES LTD.

Regd. office address : Plot No. 2234, Near Kranti Gate,
GIDC, Metoda – 360 021. Rajkot, Gujarat. (INDIA)



+91 2827 287930/31



sales@macpowercnc.com



www.macpowercnc.com



Note : Technical Specifications and Colors are subject to change as a part of continuous development.